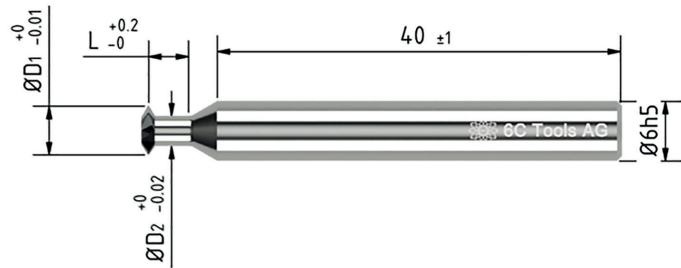
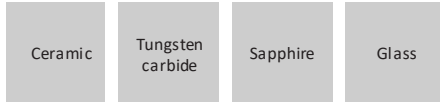




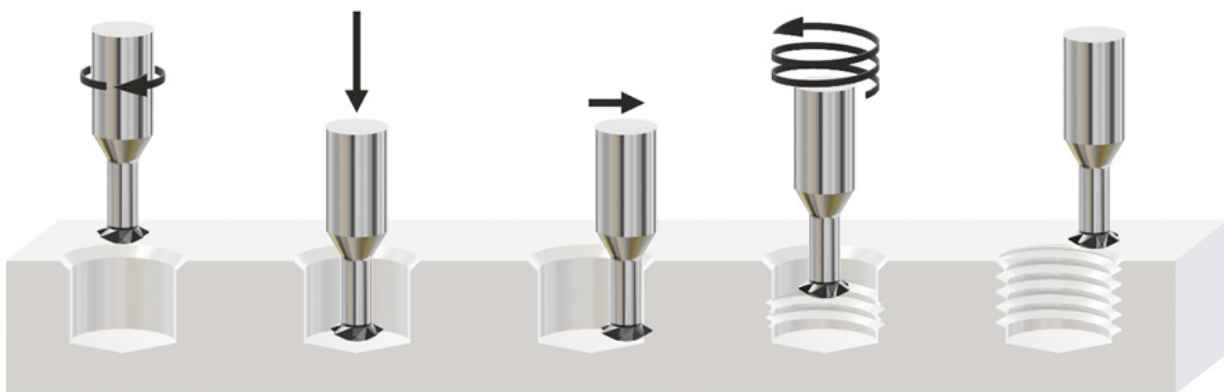
GEWINDE Fräser

THREAD Mill

FRAISE à fileter



Product code	M/S	P	D ₁	L ₁	D ₂	Z	Pre hole Ø
THM-P-2010-073-250-M1.0	M1.0	0.25	0.73	2.5	0.43	5	0.8
THM-P-2010-090-250-M1.2	M1.2	0.25	0.9	2.5	0.57	6	0.98
THM-P-2010-105-300-M1.4	M1.4	0.3	1.05	3.0	0.66	6	1.14
THM-P-2010-120-350-M1.6	M1.6	0.35	1.2	3.5	0.78	6	1.32
THM-P-2010-140-350-M1.8	M1.8	0.35	1.4	3.5	0.98	7	1.52
THM-P-2010-155-400-M2.0	M2.0	0.4	1.55	4.0	1.05	7	1.67
THM-P-2010-170-450-M2.2	M2.2	0.45	1.7	4.5	1.14	7	1.83
THM-P-3020-200-090-M2.5	M2.5	0.45	2.0	9.0	1.44	8	2.13
THM-P-3020-235-100-M3.0	M3.0	0.5	2.35	10	1.6	8	2.5
THM-P-3020-275-120-M3.5	M3.5	0.6	2.75	12	1.85	8	2.9
THM-P-3020-315-140-M4.0	M4.0	0.7	3.15	14	2.1	8	3.3
THM-P-2010-046-150-S0.6	S0.6	0.15	0.46	1.5	0.31	5	0.5
THM-P-2005-053-087-S0.7	S0.7	0.175	0.53	1.8	0.35	5	0.58
THM-P-2005-061-100-S0.8	S0.8	0.2	0.61	2.0	0.4	5	0.66
THM-P-2005-075-125-S1.0	S1.0	0.25	0.75	2.5	0.48	5	0.82
THM-P-2010-090-250-S1.2	S1.2	0.25	0.9	2.5	0.62	5	1.02
THM-P-2010-105-300-S1.4	S1.4	0.3	1.05	3.0	0.7	5	1.17



www.6c-tools.ch
mail@6c-tools.ch
 +41 (0)44 512 77 40

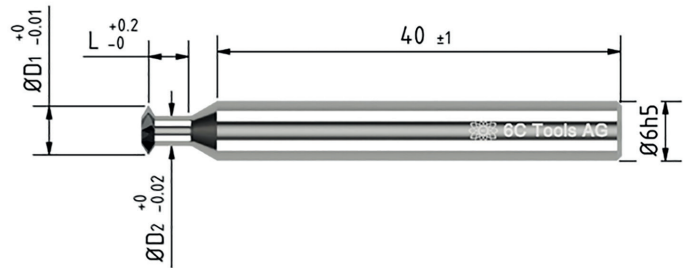
Spinoff **ETH** zürich



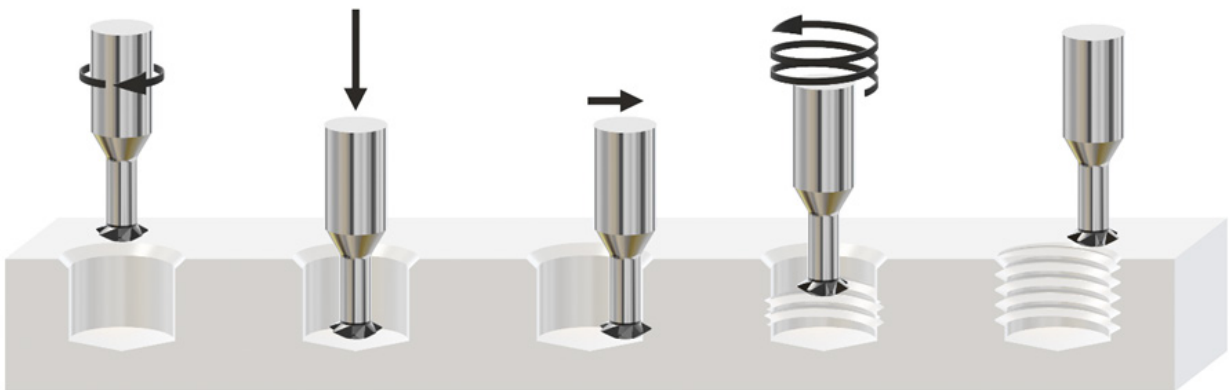
GEWINDE Fräser

THREAD Mill

FRAISE à fileter



Product code	UNF/UNC	P	D ₁	L ₁	D ₂	Z	Pre hole ø
THM-P-2010-140-400-N1-64UNC	N1-64UNC	0.397	1.4	4.0	0.85	6	1.5
THM-P-2010-165-450-N2-56UNC	N2-56UNC	0.453	1.65	4.5	1.0	6	1.78
THM-P-2010-110-320-N0-80UNF	N0-80UNF	0.318	1.1	3.2	0.65	5	1.25
THM-P-2010-140-350-N1-72UNF	N1-72UNF	0.353	1.4	3.5	0.9	6	1.55
THM-P-2010-175-400-N2-64UNF	N2-64UNF	0.397	1.75	4.0	1.25	7	1.9
THM-P-2010-200-450-N3-56UNF	N3-56UNF	0.453	2.0	4.5	1.4	7	2.15
THM-P-3020-190-106-N3-48UNC	N3-48UNC	0.529	1.9	10.6	1.15	6	2.05
THM-P-3020-210-127-N4-40UNC	N4-40UNC	0.635	2.1	12.7	1.2	6	2.27
THM-P-3020-240-127-N5-40UNC	N5-40UNC	0.635	2.4	12.7	1.5	6	2.59
THM-P-3020-260-159-N6-32UNC	N6-32UNC	0.794	2.6	15.9	1.45	5	2.77
THM-P-3020-310-159-N8-32UNC	N8-32UNC	0.794	3.1	15.9	1.9	6	3.42
THM-P-3020-220-106-N4-48UNF	N4-48UNF	0.529	2.2	10.6	1.5	7	2.4
THM-P-3020-250-115-N5-44UNF	N5-44UNF	0.577	2.5	11.5	1.75	7	2.7
THM-P-3020-270-127-N6-40UNF	N6-40UNF	0.635	2.7	12.7	1.85	7	2.95
THM-P-3020-320-141-N8-36UNF	N8-36UNF	0.705	3.2	14.1	2.15	7	3.5



www.6c-tools.ch
mail@6c-tools.ch
 +41 (0)44 512 77 40

Spinoff **ETH zürich**